

Average temperature sensor

The Pt1000 version is supplied with one continuous sensing element across the whole length of the probe to ensure optimum accuracy and eliminate air stratification problems.

NTC and Ni1000 are industry standard multi-point sensing elements.



5-year warranty


Type Overview

Type	Output signal	Probe length
01MT-5B4	Pt1000	3 m
01MT-5B5	Pt1000	6 m
01MT-5E4	Ni1000 (JCI)	3 m
01MT-5E5	Ni1000 (JCI)	6 m
01MT-5L4	NTC10k (10k2)	3 m
01MT-5L5	NTC10k (10k2)	6 m
01MT-5M4	NTC10k3 (Precon)	3 m
01MT-5M5	NTC10k3 (Precon)	6 m
01MT-5Q4	NTC20k	3 m
01MT-5Q5	NTC20k	6 m

Technical data

Electrical Data	Electrical connection	Pluggable spring loaded terminal block max. 2.5 mm ²
	Cable entry	Cable gland with strain relief Ø6...8 mm (1/2" NPT conduit adapter included)
Functional Data	Application	air
	Output signal passive temperature	Pt1000 Ni1000 (JCI) NTC10k (10k2) NTC10k3 (Precon) NTC20k
	Measured values	Temperature
	Measuring range temperature	Pt.. : -31...158°F [-35...70°C] NTC.. : -32...122°F [0...50°C]
Measuring Data	Accuracy temperature passive	Passive sensors depending on used type Pt.. : ±0.5°F @ 32°F [±0.3°C @ 0°C] Ni.. : ±0.7°F @ 32°F [±0.4°C @ 0°C] NTC.. : ±0.35°F @ 77°F [±0.2°C @ 25°C]
	Measuring current	Pt1000: <0.3 mA @ 32°F [0°C] Ni1000 (JCI): <5 mA @ 21°C [70°F] NTC10k2: <2 mA @ 77°F [25°C] NTC10k3: <2.7 mA @ 77°F [25°C] NTC20k: <0.5 mA @ 77°F [25°C]
	Time constant τ (63%) in air duct	Typical 100 s @ 0 m/s
	Materials	Cable gland

Materials	Housing	Cover: PC, orange Bottom: PC, orange Seal: NBR70, black UV resistant
	<hr/>	
Safety Data	Ambient humidity	Max. 95% RH, non-condensing
	Ambient temperature	-30...120°F [-35...50°C]
	Fluid temperature	Pt., Ni.: -30...160°F [-35...70°C] NTC.: 30...120°F [0...50°C]
	Housing surface temperature	max. 195°F [90°C]
	Protection class IEC/EN	III, Protective Extra-Low Voltage (PELV)
	Power source UL	Class 2 Supply
	EU Conformity	CE Marking
	Certification IEC/EN	IEC/EN 60730-1
	Certification UL	cULus acc. to UL60730-1A/-2-9, CAN/CSA E60730-1/-2-9
	Degree of protection IEC/EN	IP65
	Degree of protection NEMA/UL	NEMA 4X
	Enclosure	UL Enclosure Type 4X
	Quality Standard	ISO 9001
	Mode of operation	Type 1
	Pollution degree	3
	Rated impulse voltage supply	0.8 kV
Construction	Independently mounted control	

Safety Notes


This device has been designed for use in stationary heating, ventilation and air-conditioning systems and must not be used outside the specified field of application. Unauthorized modifications are prohibited. The product must not be used in relation with any equipment that in case of a failure may threaten humans, animals or assets.

Ensure all power is disconnected before installing. Do not connect to live/operating equipment.

Only authorized specialists may carry out installation. All applicable legal or institutional installation regulations must be complied during installation.

The device contains electrical and electronic components and must not be disposed of as household refuse. All locally valid regulations and requirements must be observed.

Remarks

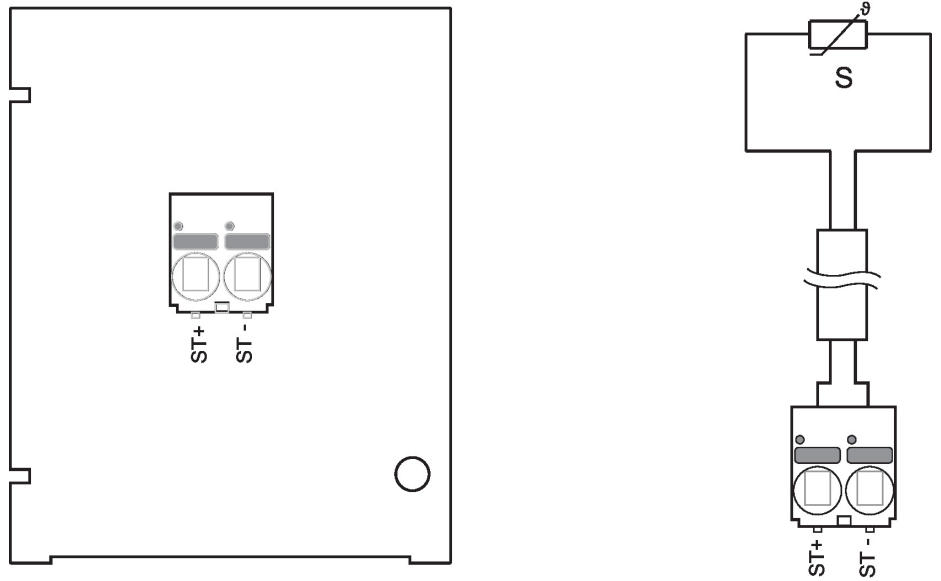
General Remarks Concerning Sensors Due to self-heating with 2 wire passive sensors, the supply wire current affects the measurement accuracy. So the supply current should not be higher than the measuring current values specified in this data sheet.

When using lengthy connecting cables (depending on the cross section used), the cable resistance must be taken into account. The lower the impedance of the sensor used, the greater the effect of the line resistance on the measurement, because it generates an offset.

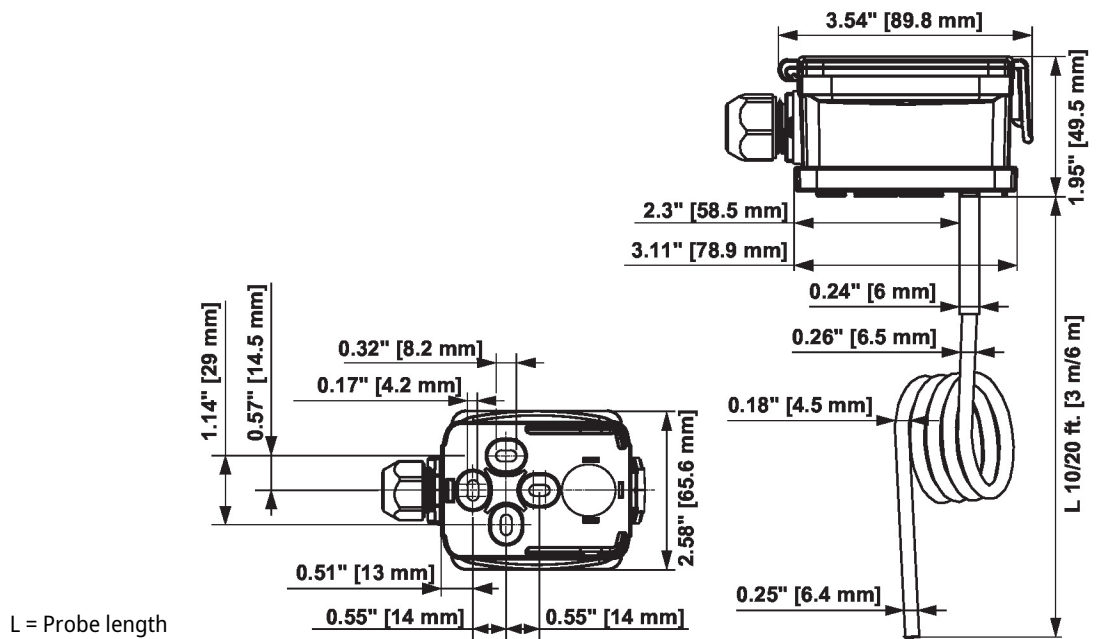
Scope of delivery

Scope of delivery	Description	Type
	Mounting kit, with 6 mounting brackets	A-22D-A08
	Mounting plate S housing	A-22D-A09
	1/2" NPT conduit adapter	

Wiring Diagram



Dimensions



L = Probe length

Type	Probe length	Weight
01MT-5B4	3 m	0.49 lb [0.22 kg]
01MT-5B5	6 m	0.55 lb [0.25 kg]
01MT-5E4	3 m	0.49 lb [0.22 kg]
01MT-5E5	6 m	0.55 lb [0.25 kg]
01MT-5L4	3 m	0.49 lb [0.22 kg]
01MT-5L5	6 m	0.55 lb [0.25 kg]
01MT-5M4	3 m	0.49 lb [0.22 kg]
01MT-5M5	6 m	0.55 lb [0.25 kg]
01MT-5Q4	3 m	0.49 lb [0.22 kg]
01MT-5Q5	6 m	0.55 lb [0.25 kg]